

TECHNICAL, ORDER FORM & PRICE GUIDE

Ultrasky[®]
SKYLIGHT by Ultraframe

ULTRASKY FLAT SKYLIGHT

MAY 2019 | v4

Please use this document for guidance only. Always obtain a formal quotation for any specific project. A formal quotation from Ultraframe, your Ultraframe fabricator or stockist is the only accurate method of obtaining a price.



The Ultrasky Flat Skylight provides an element of style to extension and orangery roofs and floods natural light into the room below. Its distinctive sleek, frameless edge to edge glass gives a stunning contemporary look allowing the largest possible amount of light into the room.

Sitting flush with the internal plasterboard, the Ultrasky Flat Skylight looks frameless from the inside, giving the room a bright open roof feel. The fully insulated frame with 'Warm Frame' technology combined with noise reducing glass means that Ultrasky Flat Skylight blocks out noise from the outside and is unrivalled in thermal efficiency. The Ultrasky Flat Skylight's simple pre-assembled design, unique click-fit installation process allows precision fit and is up to 50% faster than other flat roof lights, saving you time on site.

Price list effective 28th May 2018. All prices are quoted in pound sterling and exclude VAT. Every effort has been made to ensure the accuracy of the price guide, however the Ultraframe computer system is the final arbiter on price.

CUSTOMER SERVICE

☎ 01200 452 916 ✉ csi@ultraframe.co.uk

TECHNICAL SUPPORT

☎ 01200 452 918 ✉ techsupport@ultraframe.co.uk

MARKETING SUPPORT

☎ 01200 452 919 ✉ marketingsupport@ultraframe.co.uk

QUOTATIONS

☎ 01200 452 901 ✉ quotes@ultraframe.co.uk

ROOF SALES

☎ 01200 452 904 ✉ roofsales@ultraframe.co.uk

PART SALES

☎ 01200 452 906 ✉ partsales@ultraframe.co.uk



WARMEST

Fully insulated core

- Fully insulated frame with Warm Frame technology
- Optional thermally efficient kerb available
- Overall U-value of 1.2



QUIETEST

Unbeatable noise reduction

- Noise reducing glass
- Combination of 4mm and 6mm stepped units delivers up to 34dB noise reduction



MINIMALIST

Distinctive frameless glass

- Edge to edge glass for a contemporary look
- Fineline plasterboard trim for a neat internal finish
- Slim aluminium surround blends seamlessly with glass



EASIEST

Unique click-fit installation

- Precision click-fit installation process for quick fitting first time, every time
- No fiddly trims
- 50% faster to fit than other roof lights
- Welded kerb and skylight can be installed together saving time



CUSTOMISABLE

Unbeatable range of design options

- Bespoke sizes available
- Grey, black and white standard colours
- Available in any RAL or special colour
- Available in Clear and Blue glass options



FASTEST

Quickest installation time

- Simple click-fit frame
- Waterproof kerb provides seal to skylight
- One step installation process for kerb and frame

Ultrasky Flat Skylight Features

- Distinctive Frameless Glass
- Fully insulated core
- Unique click-fit installation
- Noise reducing glass
- Overall U-value of 1.2

FEATURES

- 1 Edge to Edge glass for a contemporary look.
- 2 Fineline plasterboard trim for a neat internal finish.
- 3 Slim aluminium surround blends seamlessly with glass.
- 4 Fully insulated frame with Warm Frame technology.
- 5 Click-fit clips for quick fitting first time, every time.
- 6 Noise reducing glass reduces noise by up to 34dB.
- 7 Double seal gaskets with high compression, so seal won't degrade over time.



Flat Skylight Prices (£)

SPAN

SLOPE

PLAN VIEW

Clear Glass

Standard colours: Black (RAL 9005 - 60% Gloss),
White (RAL 9003 - 80% Gloss), Grey (RAL 7016 - 30% Gloss)

		SPAN (Internal sizes)																			
		600	700	800	900	1000	1100	1200	1300	1400	1500	1600	1700	1800	1900	2000	2100	2200	2300	2400	2500
SLOPE (Internal sizes)	600	£586	£602	£618	£641	£664	£701	£737	£774	£811	£848	£884	£921	£958	£994	£1,031	£1,068	£1,105	£1,141	£1,212	£1,251
	700		£613	£623	£662	£701	£740	£779	£818	£857	£897	£936	£975	£1,014	£1,053	£1,092	£1,131	£1,170	£1,209	£1,288	£1,328
	800			£629	£672	£716	£759	£802	£847	£891	£934	£977	£1,021	£1,065	£1,109	£1,152	£1,196	£1,239	£1,283	£1,327	£1,371
	900				£719	£766	£814	£861	£908	£955	£1,003	£1,049	£1,096	£1,143	£1,190	£1,238	£1,285	£1,332	£1,379	£1,427	£1,474
	1000					£817	£868	£918	£968	£1,020	£1,070	£1,120	£1,172	£1,222	£1,272	£1,324	£1,374	£1,424	£1,475	£1,526	£1,576
	1100						£921	£976	£1,030	£1,084	£1,139	£1,192	£1,246	£1,301	£1,355	£1,408	£1,463	£1,517	£1,571	£1,917	£1,983
	1200							£1,033	£1,091	£1,149	£1,206	£1,264	£1,321	£1,379	£1,437	£1,494	£1,552	£1,900	£1,971	£2,041	£2,111
	1300								£1,152	£1,213	£1,275	£1,335	£1,397	£1,458	£1,518	£1,866	£1,940	£2,015			
	1400									£1,278	£1,342	£1,407	£1,471	£1,536	£1,892	£1,972					

For bespoke sizes use next size up in the matrix.

Bespoke RAL colours available at an extra £195.75 per skylight. Special colours POA.

Conservaglass Specification:

Outer Layer - 6mm Toughened Opti Neutral/ 16mm Argon filled cavity with warm edge spacer.
Inner Layer - 4mm or 6mm (size dependent) high performance, Low E, toughened.

Key:

*26mm Glass
28mm Glass

Stock Sizes:

- 600mm x 600mm - Black - Standard Glass 6/16/4
- 1000mm x 1000mm - Black - Standard Glass 6/16/4
- 1000mm x 1500mm - Black - Standard Glass 6/16/4
- 1000mm x 2000mm - Black - Standard Glass 6/16/6
- 1200mm x 1200mm - Black - Standard Glass 6/16/4

Blue Glass

Standard colours: Black (RAL 9005 - 60% Gloss), White (RAL 9003 - 80% Gloss), Grey (RAL 7016 - 30% Gloss)

		SPAN (Internal sizes)																			
		600	700	800	900	1000	1100	1200	1300	1400	1500	1600	1700	1800	1900	2000	2100	2200	2300	2400	2500
SLOPE (Internal sizes)	600	£615	£636	£656	£684	£712	£754	£795	£836	£878	£920	£961	£1,003	£1,044	£1,085	£1,127	£1,169	£1,211	£1,251	£1,327	£1,371
	700		£652	£668	£712	£757	£802	£846	£891	£935	£981	£1,026	£1,070	£1,115	£1,159	£1,204	£1,249	£1,293	£1,338	£1,422	£1,468
	800			£680	£730	£780	£829	£879	£930	£921	£1,030	£1,079	£1,130	£1,180	£1,231	£1,280	£1,330	£1,380	£1,430	£1,481	£1,531
	900				£784	£838	£893	£947	£1,002	£1,056	£1,111	£1,164	£1,218	£1,273	£1,327	£1,382	£1,436	£1,490	£1,545	£1,600	£1,654
	1000					£897	£956	£1,014	£1,072	£1,132	£1,190	£1,248	£1,308	£1,366	£1,424	£1,484	£1,542	£1,600	£1,659	£1,718	£1,776
	1100						£1,018	£1,082	£1,144	£1,207	£1,271	£1,333	£1,396	£1,459	£1,522	£1,584	£1,648	£1,711	£1,773	£2,128	£2,203
	1200							£1,148	£1,216	£1,283	£1,350	£1,418	£1,484	£1,552	£1,619	£1,686	£1,754	£2,111	£2,192	£2,271	£2,351
	1300								£1,287	£1,359	£1,431	£1,501	£1,574	£1,645	£1,716	£2,074	£2,158	£2,244			
	1400									£1,435	£1,510	£1,586	£1,661	£1,738	£2,105	£2,196					

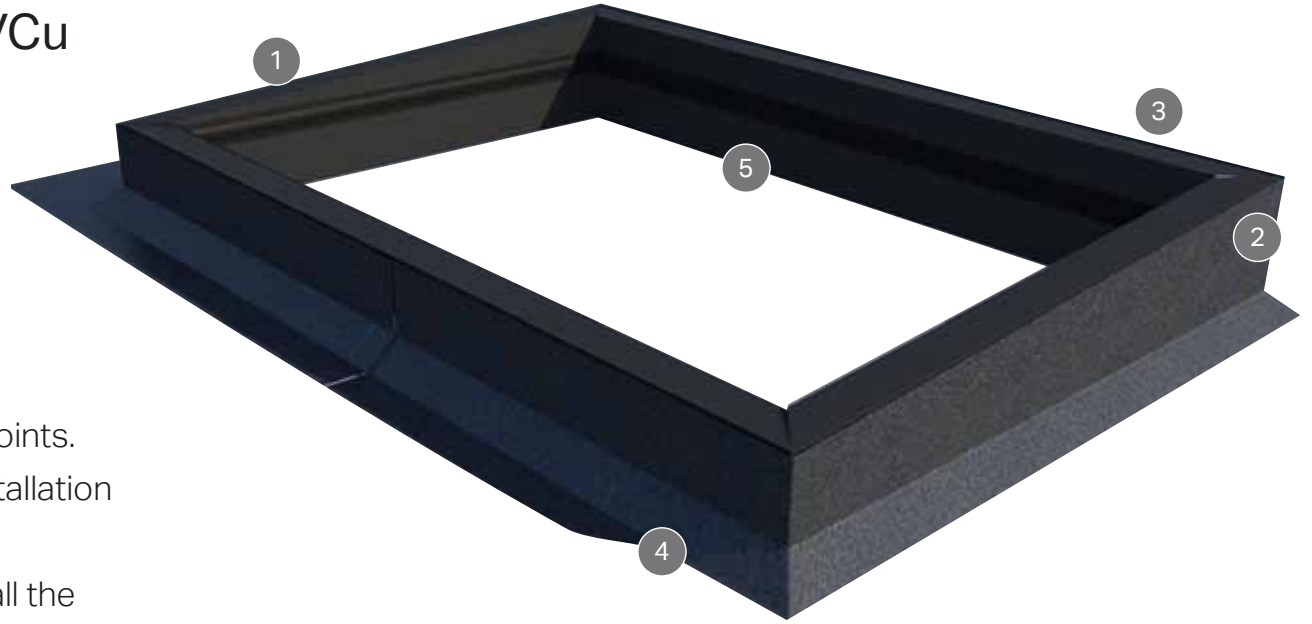
For bespoke sizes use next size up in the matrix.

Bespoke RAL colours available at an extra £195.75 per skylight. Special colours POA.

Fixings for attaching kerb to deck are not supplied.

Kerb Features

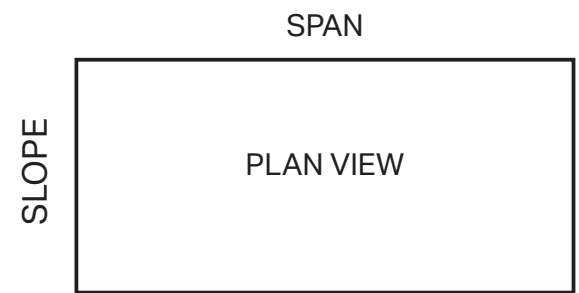
- Factory assembled for an easy fit
- Fully reinforced
- Insulating chambered black PVCu
- Watertight welded frame



FEATURES

1. 4° pitch for optimum performance.
2. Weathering tape for double waterproofing on joints.
3. Self-aligning internal reinforcement for fast installation
4. Tilt fillet for optimum membrane run off.
5. Fully welded mitred frame means you can install the skylight and waterproof it later.

Please note kerbs can be delivered separately if required at an extra £52.85 per kerb.



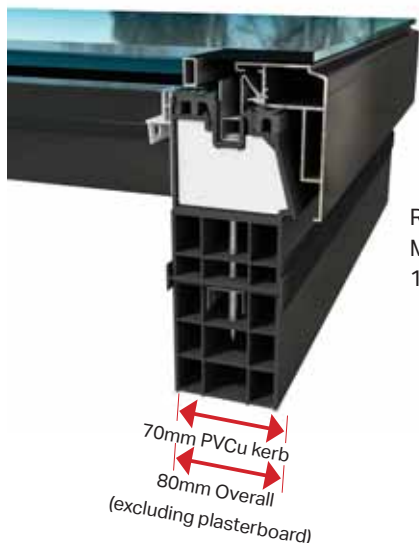
Kerb Prices (£)

		SPAN (Internal sizes)																			
		600	700	800	900	1000	1100	1200	1300	1400	1500	1600	1700	1800	1900	2000	2100	2200	2300	2400	2500
SLOPE (Internal sizes)	600	£309	£314	£319	£325	£338	£352	£365	£379	£393	£406	£420	£433	£447	£460	£474	£488	£501	£515	£528	£542
	700		£317	£321	£334	£348	£361	£375	£389	£402	£416	£429	£443	£457	£470	£484	£497	£511	£525	£538	£552
	800			£327	£341	£354	£367	£381	£394	£408	£421	£435	£448	£462	£475	£489	£502	£515	£529	£542	£556
	900				£353	£367	£380	£394	£407	£420	£434	£447	£461	£474	£488	£501	£515	£528	£542	£555	£568
	1000					£379	£393	£406	£420	£433	£447	£460	£473	£487	£500	£514	£527	£541	£554	£568	£581
	1100						£405	£419	£432	£446	£459	£473	£486	£500	£513	£526	£540	£553	£567	£580	£594
	1200							£431	£445	£458	£472	£485	£499	£512	£526	£539	£553	£566	£579	£593	£606
	1300								£457	£471	£484	£498	£511	£525	£538	£552	£565	£579			
	1400									£518	£531	£545	£558	£572	£585	£599					

For bespoke sizes use next size up in the matrix.

KERB Rules

Ultraframe PVCu kerb



Roof Covering
Max thickness
10mm

70mm PVCu kerb
80mm Overall
(excluding plasterboard)

Timber kerb



Roof Covering
Max thickness
5mm - 10mm

70-75mm Timber kerb
80mm Overall
(excluding plasterboard)

Fixings for attaching kerb to deck are not supplied.

The minimum height of the kerb must be 150mm at it's lowest point. The kerb must have a pitch of 4°.



Edge to edge glazing

For maximum sightlines and the feel of an open roof.

Product Specification

SIZES

The Ultrasky Flat Skylight is designed around maximum uninterrupted sight lines and is available in a number of square or rectangular sizes. Internal sizes ranging from 600mm x 600mm and going up to 2500mm in length (dependent on dimensions, see price list).

COLOUR OPTIONS

Externally available in Black (RAL 9005 at 60% gloss), White (RAL 9003 at 80% gloss) and Grey (RAL 7016 at 30% gloss) for a great look on any build. Bespoke colours available on request.

GLAZING

The highly thermally efficient glazing will help reduce heat loss and noise pollution, whilst letting the maximum amount of light enter your room. Available in Clear and Blue glass options.

Glass outer layer – 6mm Toughened Opti Neutral / 16mm Argon filled cavity with warm edge spacer.

Glass inner layer – 4mm or 6mm (size of skylight dependent) high performance low E toughened.

Glass U-value 1.0.

Clear Glass G-value 0.5, Blue Glass G-value 0.3.

Noise reducing capabilities up to 34dB.

KERB

The optional kerb is factory assembled and delivered in one piece to minimise time on site. The kerb has a chambered construction for superior thermal performance and rigidity and contains self aligning internal reinforcement to attach the flat skylight for a faster fit. The kerb is welded to be watertight so you can fit the skylight and waterproof the roof at a later date. It's optimal 4 degree pitch has been set for:

- Compliance with Building Regulations.
- Prevention of puddles forming, which can stain or mark the glazing.
- Ensuring maximum 'flex', or weight-bearing capability, is accounted for.

INSTALLATION

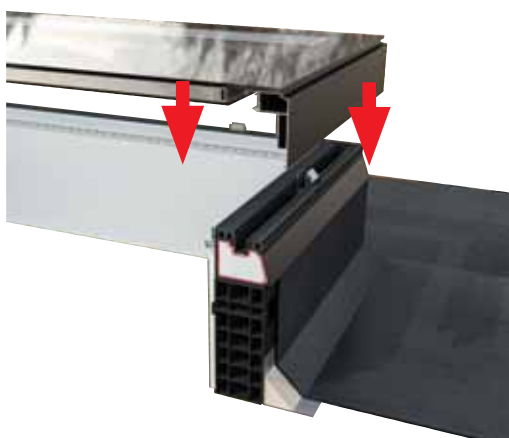
Ultrasky Flat Skylight can be installed at heights upto 13m above floor level if overall glazing area is 3m² or less. For glazing areas greater than 3m² the maximum fitting height is 5m. Not suitable to walk on the glass. Please contact Ultraframe if in doubt.

IF YOU ARE INSTALLING MORE THAN ONE SKYLIGHT THE MINIMUM DISTANCE BETWEEN THEM MUST BE 400MM.

Set out dimensions are measured to the internal face (exclude plasterboard).

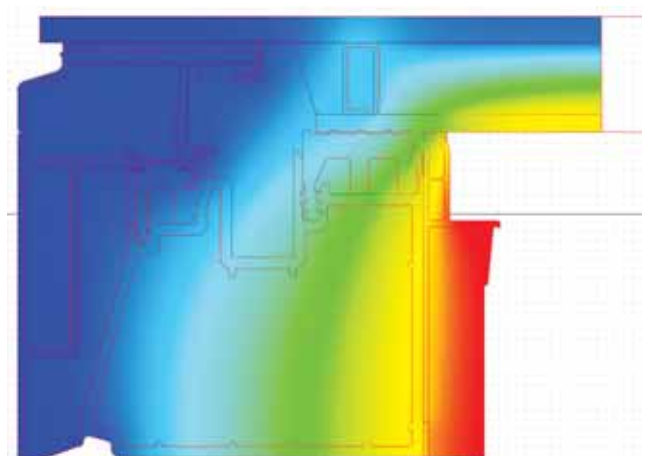
EASIEST INSTALLATION

Simple click-fit for fast fitting first time every time.



ULTIMATE THERMAL PERFORMANCE

Overall U-value 1.2 W/m²K.



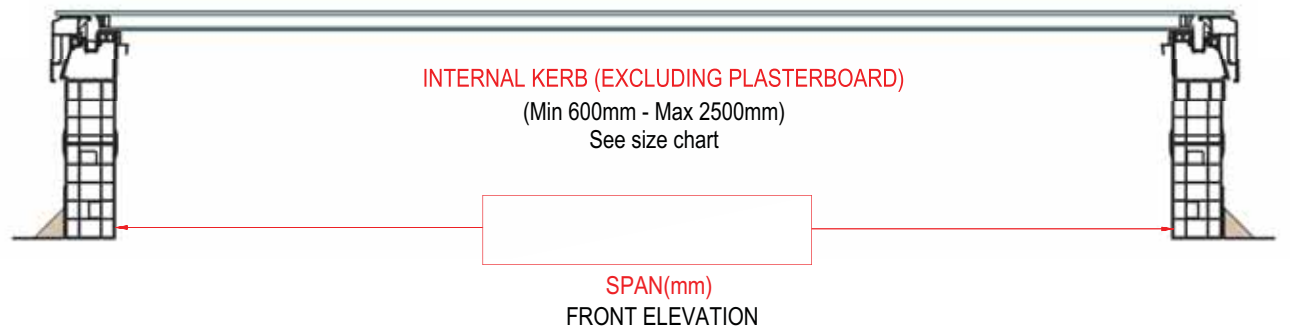
ORDER FORM

- ORDER** e: partsales@ultraframe.co.uk
 QUOTE e: quotes@ultraframe.co.uk
 New Build Existing flat roof

Fill in the dimensions in the boxes below.

- Please note all dimensions are to internal face of 70 mm kerb (exclude plasterboard).
- Measurement size of kerb height needs to be minimal 150mm (internal aperture).
- Slope / width is always the smallest size.

PLAN VIEW



STOCK SIZES - BLACK ONLY	
600mm x 600mm – Clear Glass	<input type="checkbox"/>
1000mm x 1000mm – Clear Glass	<input type="checkbox"/>
1000mm x 1500mm – Clear Glass	<input type="checkbox"/>
1000mm x 2000mm – Clear Glass	<input type="checkbox"/>
1200mm x 1200mm – Clear Glass	<input type="checkbox"/>

ACCOUNT No.

Company Name

Order Number

JOB REFERENCE

Company Contact

Telephone No.

Email

Delivery Address

.....

POSTCODE

Delivery Date Req

Quotation Ref

ROOF SPECIFICATION

COLOUR: RAL9005 - 60% Black RAL9003 - 80% White RAL7016 - 30% Grey Bespoke RAL:

GLOSS %:

PITCH: 4°

CONSERVAGLASS OPTIONS: Standard, 26mm or 28mm (glass size dependent of skylight size) Clear Blue

OPTIONAL KERB: Yes No

CUSTOMER NOTE: Please carefully read the Ultrasky Flat Skylight installation guide before filling in order details.

The minimum distance between flat skylights is 400mm

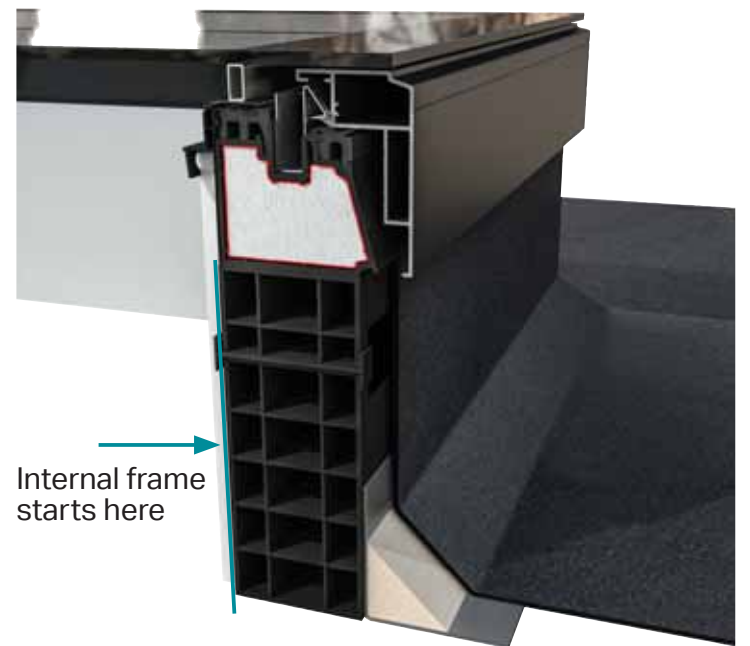
Glass Specification: The glass is either 26mm or 28mm depending on the size of the flat skylight. See price list for details. Available in Clear and Blue glass options.
 Outer Layer - 6mm Toughened Opti Neutral/ 16mm Argon filled cavity with warm edge spacer
 Inner Layer - 4mm or 6mm (size dependent) high performance, Low E, toughened.

Glass U-value: 1.0

DISCLAIMER

The builder/installer is responsible for providing / checking structural deck. Building Regulation applications MAY be needed depending upon application. In certain commercial applications, restrictions in the use of the product may apply. **Not suitable to walk on the glass.**

Contact 01200 452918 for guidance.



Job No.:3598

Please sign and return to
partsales@ultraframe.co.uk

SIGNED

DATE

Note: Upon placement of your Ultrasky Flat Skylight order, no drawing confirmation will be sent so please ensure information provided is accurate.

www.ultraframetrade.co.uk

Job No.3851 Flat Skylight v3 01/2019 FRPG001
It is Ultraframe's policy to continually seek to improve its products, processes and services, and we reserve the right to change specifications without prior notice. Ultraframe is a trading name of Ultraframe (UK) Limited.

Ultraframe[®]

